

Spruce Creek Cabinetry Inc.



5/8" Cabinet Construction Specifications

www.sprucecreekcabinetry.com

5/8" CABINET CONSTRUCTION SPECIFICATIONS

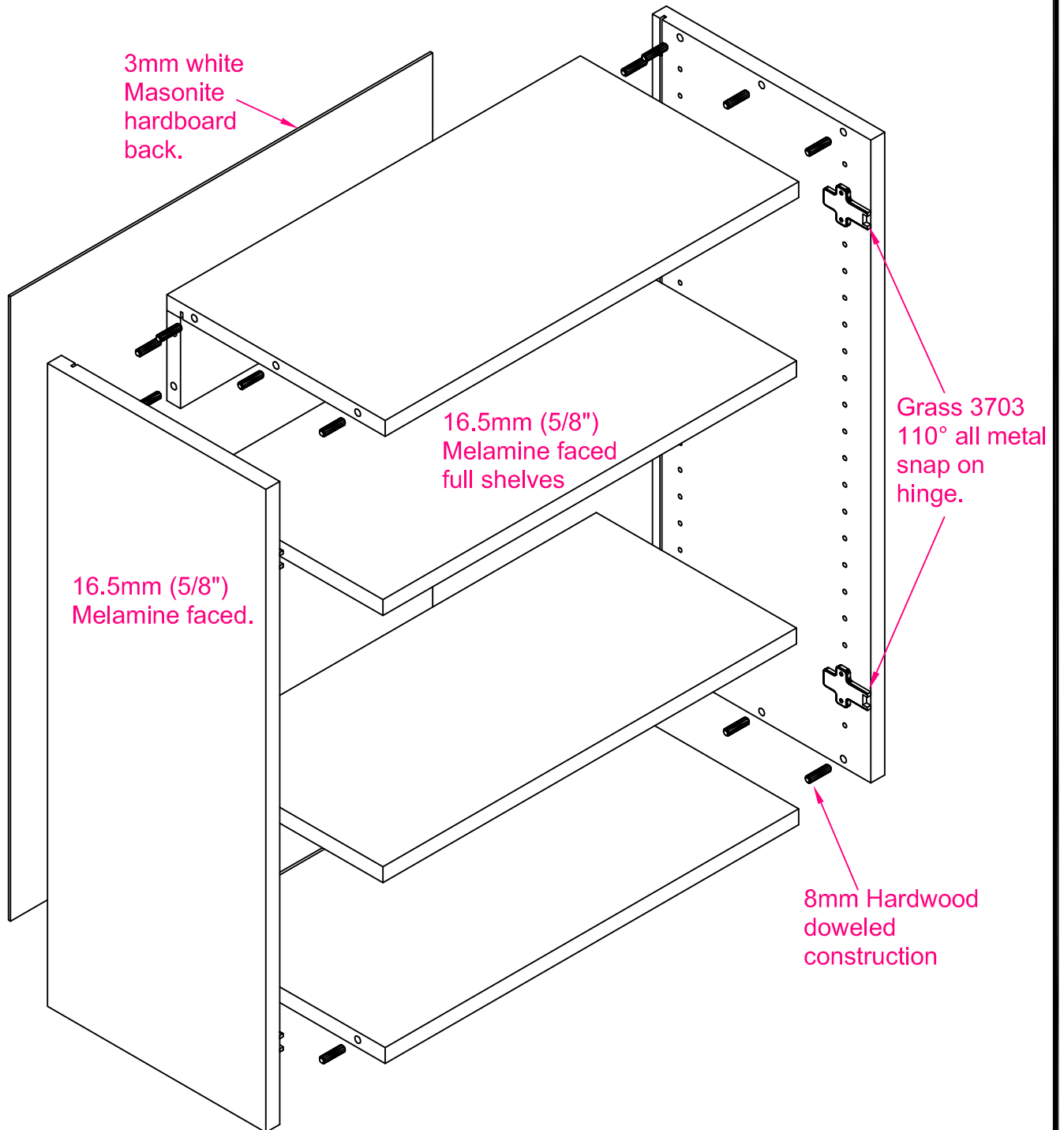
- 1. Cabinet Material**
16.5mm (5/8") Thermofused Melamine board.
- 2. Dowels**
8mm (5/16") hardwood.
- 3. Hinges**
Grass European 3703 110° all metal snap on hinge. Doors easily removed for cleaning, no tools required. Fully adjustable in all directions.
- 4. Back**
3mm – (1/8") white Masonite hardboard back. Fits in a 6mm deep slot on all four sides for added support. Hot melt glue is used during construction for added strength.
- 5. Shelves**
16mm (5/8") Thermofused Melamine board. Adjustable for height. Half shelf supplied as standard on base cabinets (as shown). Full depth available on request. For all other cabinets, full depth is used; number supplied depends on cabinet height.
- 6. Drawer Systems**
Standard (shown)
Grass Zargen epoxy coated metal drawers used for long life and smooth action. Easily removed for cleaning.
- 7. Drawer Material**
16mm (5/8") Thermofused Melamine board bottom and back. Sides being Unigrass epoxy coated metal.
- 8. Toekick**
16mm (5/8") Thermofused Melamine board.
- 9. Drawer Supports**
For two drawer base cabinets each drawer has their own center support.
- 10. Center Stile Support**
For cabinets 762mm (30") wide and above will have a 76mm (3") center stile fitted for added support and strength.

Doors (not Shown)

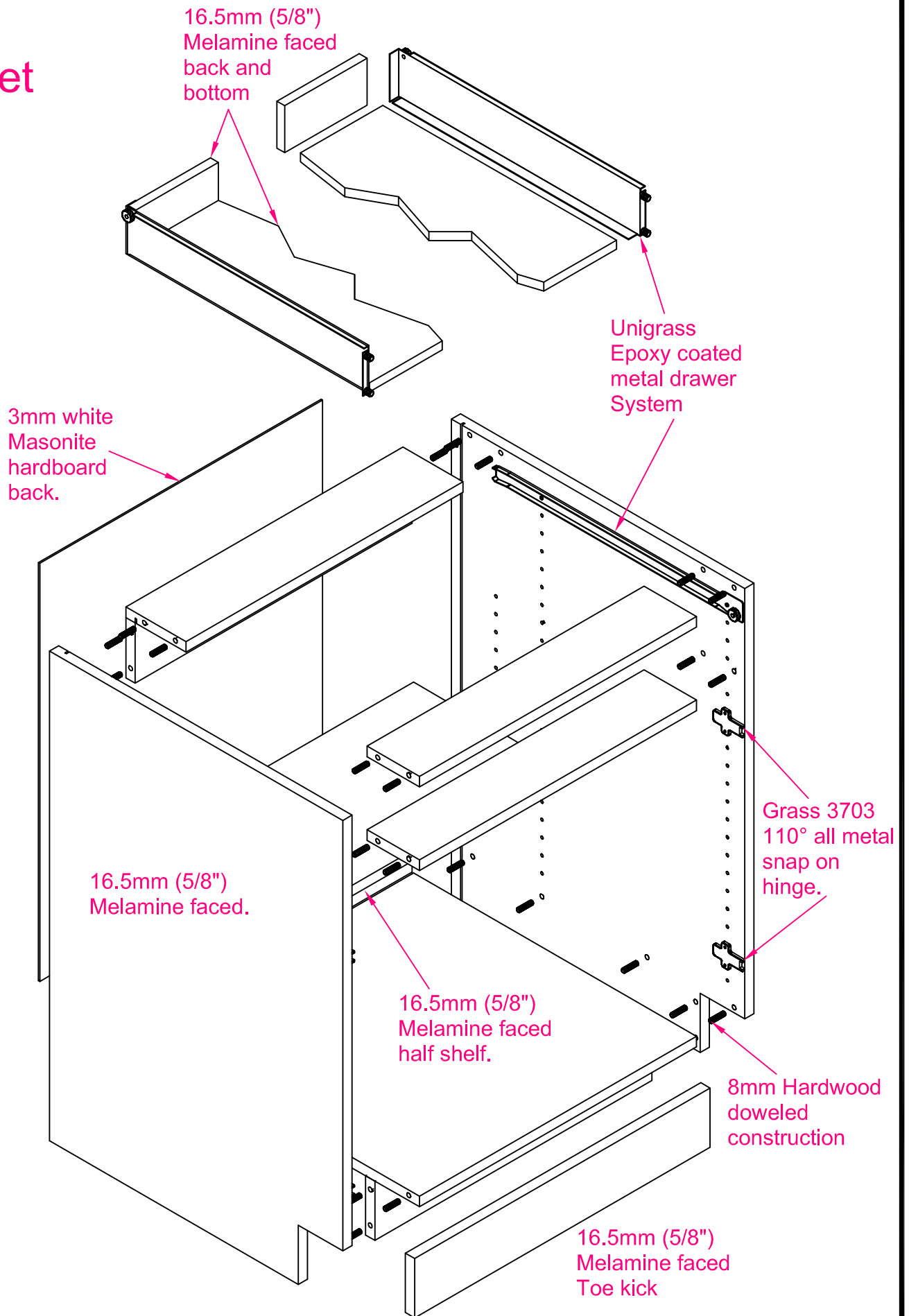
Slab 16mm (5/8") Thermofused Melamine faced on all sides. However we can also supply Raised Panel Thermofoil and Raised Panel Wood.

Note! If you require cabinets for a covered outside location it is suggested you use a 19mm (3/4") Plywood cabinet.

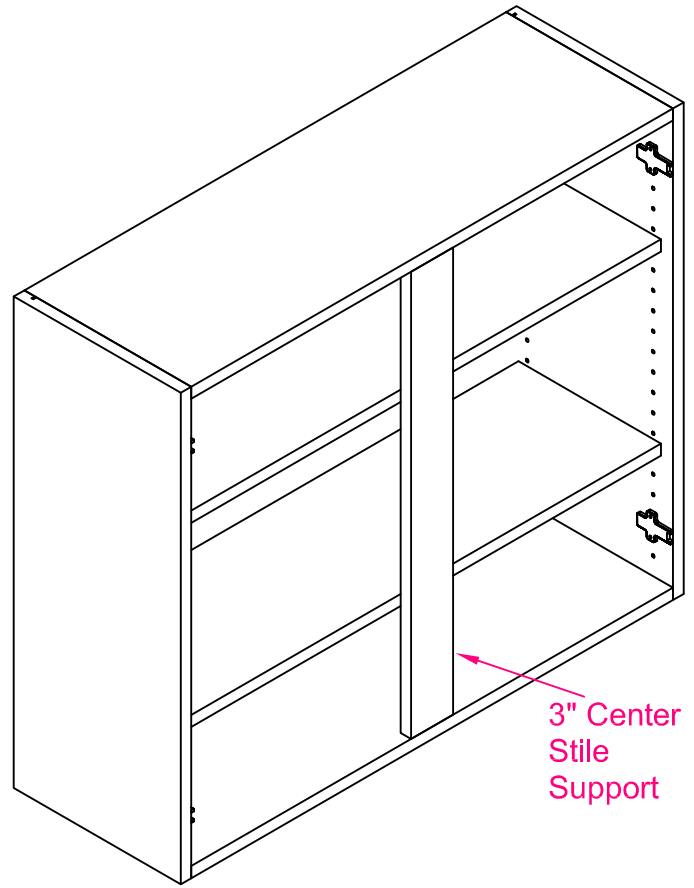
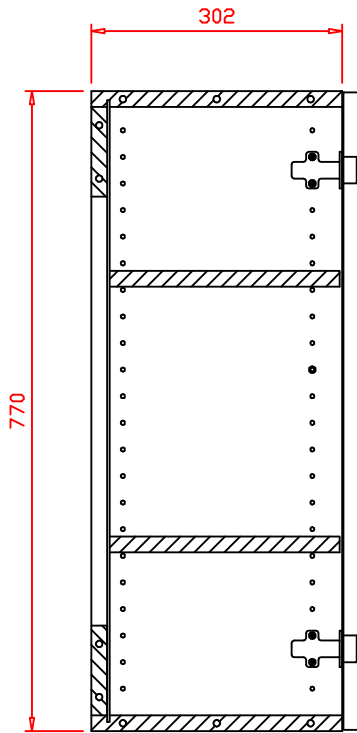
Wall Cabinet



Base Cabinet



Wall Cabinet with Center Stile



Base Cabinet with Center Stile and Drawer Supports

